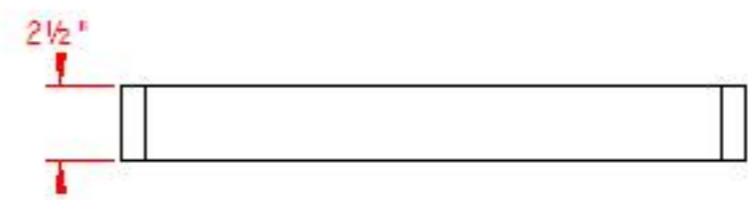
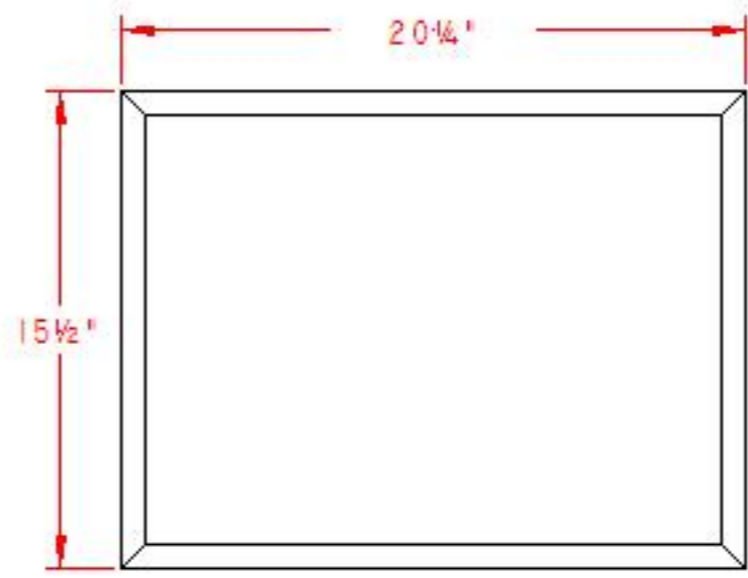


MAIN CASE

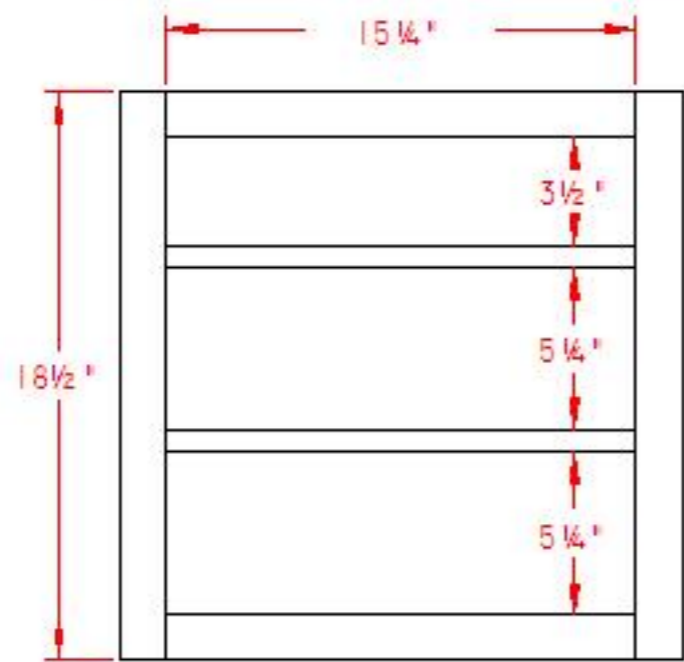
NOTES:  
 3/4" OAK PLYWOOD.  
 45° MITERED CORNERS.



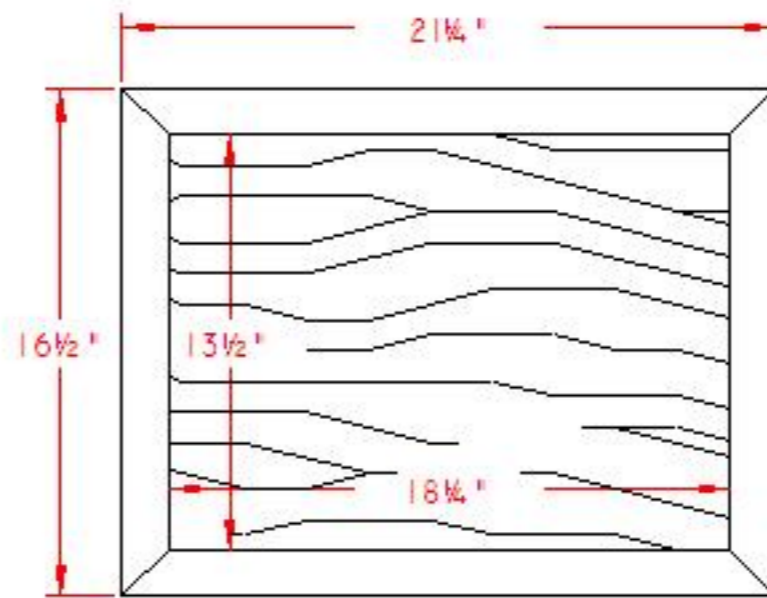
BASE

Night Stand w/Drawers			
1 1/2"=1"			
11/20/08			
DEH	DEH		
FARADAYE			
Case Construction			1 OF 3

**NOTES:**  
 FRAMES ARE SOLID OAK,  $\frac{3}{4}$ " THICK.  
 OUTSIDE FRAMES ARE  $1\frac{1}{2}$ " WIDE.  
 INSIDE FRAMES ARE  $\frac{3}{4}$ " WIDE.  
 FIELD OF TOP AND BOTTOM IS  $\frac{3}{4}$ " OAK PLYWOOD.  
 BISCUITS TO SECURE TOP AND BOTTOM FRAMES TO FIELD.  
 POCKET SCREWS TO JOIN FACE FRAME.  
 BISCUITS TO JOIN FACE FRAME TO CASE.  
 $\frac{3}{4}$ " x  $\frac{3}{4}$ " COVE MOULDING UNDER THE TOP AND OVER THE BOTTOM.



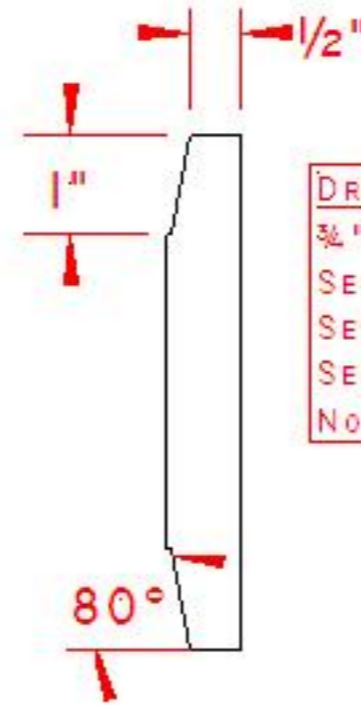
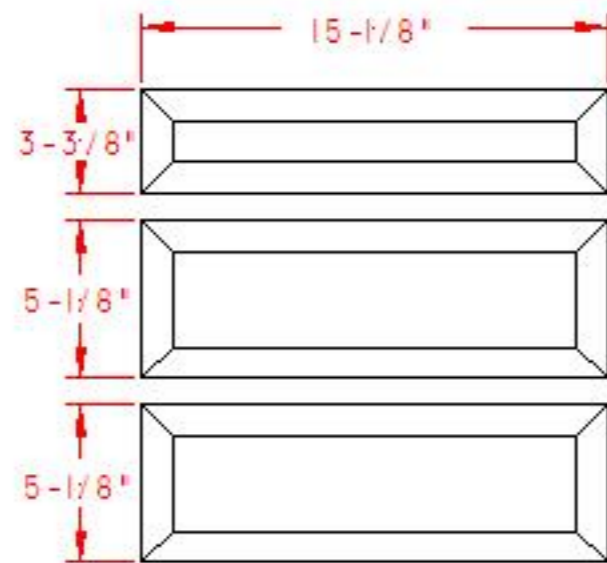
**FACE FRAME**



**TOP & BOTTOM**

Night Stand w/Drawers			
1/2"=1'			
11/20/08			
DEH	DEH		
FARADAYE			
Frame Construction			2 OF 3

**DRAWER NOTES:**  
 BLUM LOW PROFILE  $\frac{3}{4}$ " COATED DRAWER SLIDES - ROCKLER #34827.  
 BUILD OUT CASE TO MATCH FACE FRAME FOR DRAWER SLIDES.  
 $\frac{1}{2}$ " THICK WOOD.  
 DOVETAIL FRONT TO SIDES.  
 $\frac{1}{4}$ " DEEP GROOVE IN SIDES FOR BACK.  
 $\frac{1}{4}$ " HARDBOARD BOTTOM.  
 FASTEN DRAWER FRONT TO DRAWER USING SCREWS FROM THE INSIDE.



**DRAWER FRONT NOTES:**  
 $\frac{3}{4}$ " THICK SOLID OAK.  
 SET BLADE TO CUT A 20° BEVEL.  
 SET BLADE HEIGHT TO 1".  
 SET FENCE TO  $\frac{1}{2}$ " SPACE TO BLADE BOTTOM.  
 NOT TO SCALE.

**DRAWER FRONTS**

Night Stand w/Drawers			
1/2"=1'			
11/20/08			
DEH	DEH		
FARADAYE			
Drawer Construction		3	OF 3